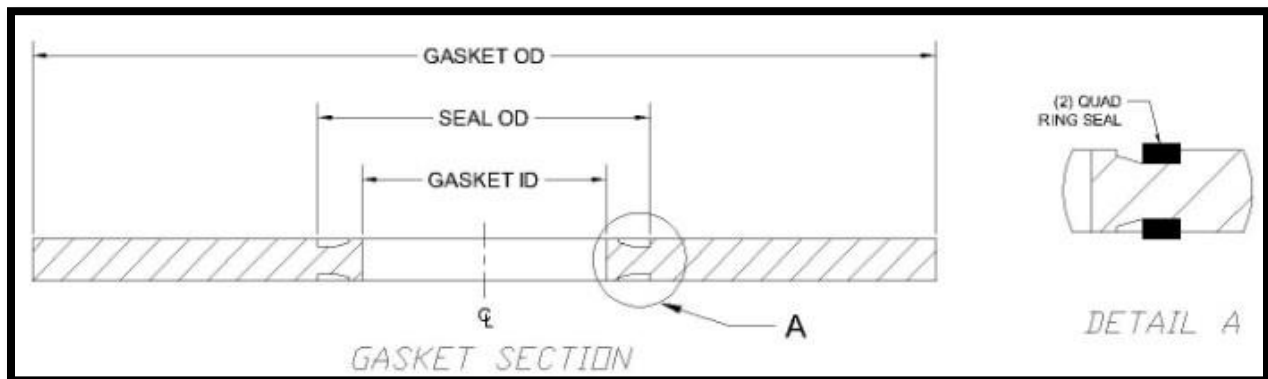


LINEBACKER Data Sheet



Gasket Properties*

Carrier: NEMA Grade G10
Color: Natural Tan (Tint may vary)
Fluid Services: Oil, Gas and Water
Maximum Operating Temperature (°F/°C): 302°F/150°C
Minimum Operating Temperature: (minus): -200°F
Maximum Pressure Class: ASME 900#/API 3,000

Typical Physical Properties*

Water Absorption (%): ASTM .01-.02 Typical

NEMA Grade G10 Mechanical Properties*

Tensile Strength (PSI):

41,000

(ASTM D638)

Flexural Strength (PSI):

57,700

(ASTM D790)

Flexural Modulus (Kpsi) LW/CW: 2,900/ 2,600

(ASTM D790)

Compressive Strength (PSI): 65,000

Thermal Properties*

Coefficient of Linear Thermal

Expansion (thickness tested .125") X-axis / Y-axis:

10.0 / 13.0 (IPC-TM 650-2.4.24)

Flammability Rating: Fire retardant

Electrical Properties*

Dielectric Strength (V/mil): 800

Isolation Kit Options:

Seal Types: [Nitrile](#), Gylon®, Viton, EPDM

Sleeves: [G10](#), Mylar

Washers: [G10](#), G3, ZPS, Stainless Steel

GRE Options: [G10](#), G11, G10 Cryogenic

* *Blue type indicates standard material.*

Notes:

This is a general guide and should not be the sole means of selecting or rejecting this material.

* Values do not constitute specification Limits

1 See GPT chemical resistance guide.

2 All isolation products are affected by exposure to heat and moisture where electrical isolation is concerned. Please note that field values may vary from test values due to exposure to one or both of these environmental factors.